

# AHO Butterfly Valve PN 16

with float

JIHOMORAVSKÁ ARMATURKA spol.s r.o.



Interflange's connection, body with lugs.  
Face-to-Face as per EN 558-1 Series 20 (previously K1).

## OFFER

AHO	Operation	Lining / Disc Material	Nominal Size DN									
			50	65	80	100	125	150	200	250	300	
Type 006	float	EPDM / stainless steel	■	■	■	■	■	■	■	■	■	■
Type 016	float	EPDM / stainless steel	■	■	■	■	■	■	■	■	■	■
Type 206	float	EPDM / stainless steel	■	■	■	■	■	■	■	■	■	■

Order example: AHO type 016 DN 100

## DESCRIPTION

### Determination

Types 006 and 016 for water up to service temperature 130 °C.  
Type 206 for permanent contact with potable and raw water up to service temperature 100 °C.

### Application

Shut-off two-way valve. Admissible flow velocity max. 2,5 m/s.

### Materials of Main Parts

Body is from grey cast iron, disc from stainless steel 18%Cr or from brass, shaft from stainless steel 13%Cr, lining from EPDM rubber, float from steel plate.

### Corrosion Protection

Body, float and float accessories coated with epoxy resin.  
Body is blue, float is red.

### Operation

Operation by means of float. Rising float causes closing of the valve – in the case if it is installed on the right side of the valve body (seeing from the side of lever) and opening of the valve – in the case of being installed on the left side. End positions are limited with stops.

### Installation and Maintenance

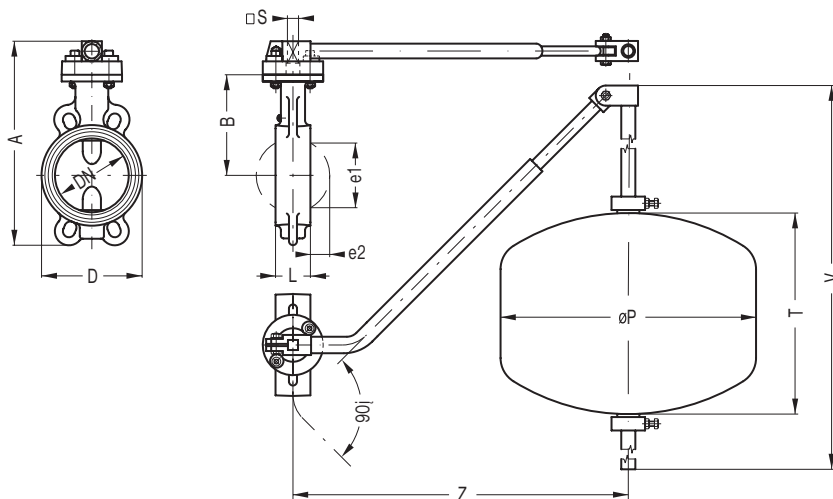
Installation is carried out by clamping between steel flanges PN 6, PN 10 and PN 16 with plane sealing surface or flanges PN 10 or PN 16 from grey cast iron and steel with sealing face. Rod of float is to be anchored in two points or on the other hand it is necessary to guarantee perfect guide of float itself. Further details are stated in KAT 13 75-B.

### Testing

Tested with water as per DIN 3230 Part 4.

Modifications are possible upon agreement.

**DIMENSIONS (mm)**



BUTTERFLY VALVES

6

Nominal Size	DN	50	65	80	100	125	150	200	250	300
Face-to-Face	L	43	46	46	52	56	56	60	68	
Dimensions	A	219	239	280	299	326	355	448	488	
	B	113	123	140	150	162	175	232	250	
	D	90	112	132	150	178	205	262	315	
	e1	30	55	68	88	114	142	193	239	
	e2	4,5	13	18	25	35,5	48	71	90	
	P	380	380	380	380	380	380	480	480	
	S	14	14	14	14	17	17	17	22	
	T	300	300	300	300	385	385	525	525	
V	1035	1035	1035	1035	1550	1550	2040	2040		
Z	320	320	500	500	1000	1000	1000	1050		
Loss Factor <sup>1)</sup>		0,45	0,37	0,35	0,32	0,31	0,30	0,29	0,29	
Weight (kg)	Type 006	14,5	15,2	16,2	17,4	23,3	24,4	39,0	48,6	
Closing Torque (N.m)		25	30	50	80	120	170	240	350	

<sup>1)</sup> Measured in the fully open position.

