

COMPOUND METER WPV-I MODELL 228 EXP



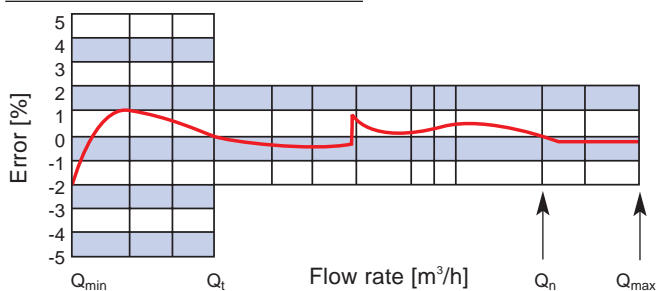
APPLICATION

- ❑ Meter for measuring heavily fluctuating flow rates

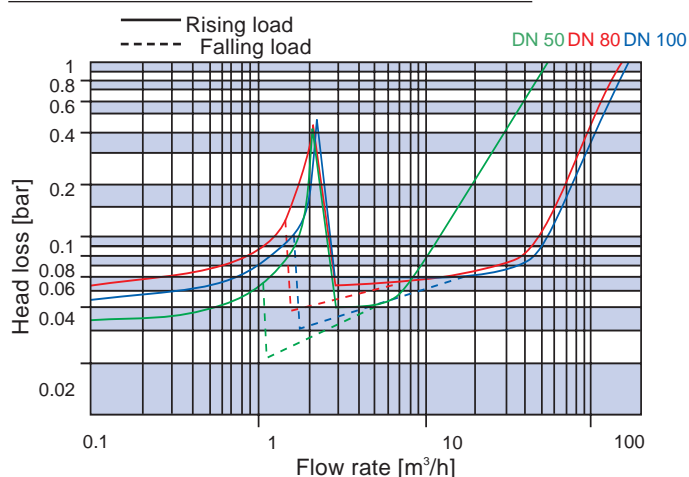
FEATURES

- ❑ Replaceable measuring insert in one unit, suitable for calibration comprising: measuring insert as main meter, switch-over valve, measuring capsule as bypass meter
- ❑ Bypass line integrated in housing cover No risk of sedimentation or corrosion
- ❑ EWT measuring capsule as bypass meter and no return valve easily replaced on site
- ❑ Ideal design of housing and housing cover prevents sedimentation, stagnant water and air pockets
- ❑ Use of standard components ensures simple repair and low cost of spare part stocks
- ❑ No measuring errors in the switch-over range
- ❑ Good long-term measuring accuracy
- ❑ Low weight
- ❑ Installation: horizontal, rising pipe, downpipe, 90° tilted

TYPICAL ERROR GRAPH



HEAD LOSS GRAPH FOR WPV-I-EXP



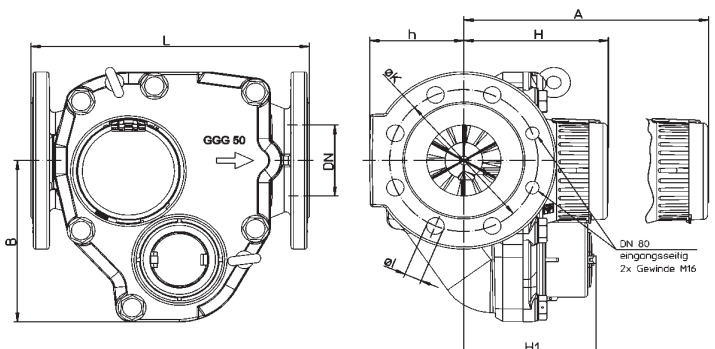
DESIGN

- ❑ Compact length (similar to Woltman meter WS)
- ❑ Nominal diameter DN 50-100 mm
- ❑ For cold water up to 30 °C (safe up to 50 °C)
- ❑ Operating pressure: up to 16 bar
- ❑ Flange for PN 16
- ❑ Calibration to EO 6 (calibration regulations)
- ❑ Complete head unit with counter and sensors can be rotated by 350° for easier reading
- ❑ Main meter with multifunctional counter (MFD)
- ❑ Measuring capsule as bypass meter Bypass meter mounted on right of main meter (as seen in direction of flow) G 1/2 flushing connection and bleed screw

SPECIAL VERSIONS

- ❑ Special flange holes
- ❑ Integrated outputs for remote reading and flow rate measurement
- ❑ Other models as bypass meters
 - Measuring capsule with 100 or 1,000 l/pulse n
 - Rotary piston measuring capsule with 1 l/pulse n
 - FLYPPER measuring capsule with M-Bus

The WP main meter can be supplied with the FLYPPER electronic counter module in protection class IP 68.



COMPOUND METER WPV-I MODEL 228 EXP

TECHNICAL DATA

Model		228			
Type		WPV-I-EXP			
Nominal diameter	DN mm	50	80	100	
Meter size to DIN ISO 4064	Q _n m ³ /h	15	40	60	
Permissible continuous load	m ³ /h	35	120	230	
Maximum flow rate (short-term)	m ³ /h	90	200	300	
Size of bypass meter	Q _n m ³ /h	2.5			
Transition flow rate (flow limit)	Q _t m ³ /h	0.0375			
Lower measuring range limit	Q _{min} m ³ /h	0.020			
Switch-over flow rate	rising	m ³ /h	2.2	2.3	
	falling	m ³ /h	1.0	1.5	
Overall length	to DIN 19625	L mm	270	300	360
	to DIN ISO 4064	L mm		300	350
Height	H	mm	130	140	
	h	mm	75	93	105
	H1	mm	136	146	
	A	mm	245	280	
Height for removing insert				280	
Width	B	mm	160	180	
Flange dimensions	Outer diameter	mm	165	200	220
	Hole pitch diameter	mm	125	160	180
	Bolt hole diameter	mm	18		
	Number of bolts	Quantity	4	*(4) 8	8
Indication range of dials	Main meter	m ³	106		
	Bypass meter	m ³	105		
Weight of complete meter		kg	17.4	25.5	29
Weight of measuring insert		kg	6.3	9.3	9.3
Measurement outputs on main meter			100/1,000		
Pulse output (reed) model 570		l/pulse	100/1,000		
Pulse transmitter (IR) model 573	l/pulse		1.0		
Special version	Bypass meter (measuring capsule) with pulse contact (reed)	l/pulse	100 or 1,000		
Rotary piston measuring capsule	l/pulse		1.0		

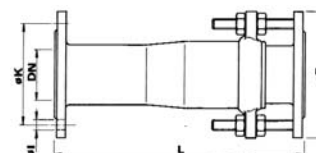
Minor technical changes may occur in the course of further development. *) Special version to order

ORDER REFERENCES

Model	Nominal diameter	Type designation	Version
228	50 mm	WPV-EXP	Cl. B
228	80 mm	WPV-EXP	8-hole/DIN 2501, cl. B
228	80 mm	WPV-EXP	4-hole/DIN 2533, cl. B
228	100 mm	WPV-EXP	Overall length 360 mm, cl. B

ADJUSTABLE EXTENSION PIECES (MODEL 626)

Adjustable extension pieces are available for adapting the compact WPV-EXP to normal DIN overall length.



Nom. diameter	Extension length	Flange diameter	Number of bolts	Hole pitch diameter	Bolt hole size
50 mm	327±20 mm	165 mm	4	125 mm	19 mm
80 mm	397±40 mm	200 mm	8	160 mm	19 mm
80 mm	397±40 mm	200 mm	4	160 mm	19 mm
100 mm	442±25 mm	220 mm	8	180 mm	19 mm